

Series 653 Lever operated hoist

The Series 653 lever operated hoist is a high quality, rugged, steel tool for close quarter pulling, stretching, and hoisting applications. Its characteristic short handle, along with minimal lever pull effort, make this tool ideal for a broad range of applications.

- Capacities from 3/4 to 6 tons
- Impact resistant, stamped steel frame, gear case and cover for durability and light weight.
- Powder coated finish for added corrosion protection.
- Hardened steel load sharing gears.
- Double pawl arrangement for assured load control.
- Two chain guide rollers for positive chain engagement.
- Weston type braking system for positive load control and positioning.
- Simple one-handed, free chaining for fast load attachment.
- Hardened steel chain for strength and long wear life.
- Forged upper and lower hooks with heavy cast steel latches.
- Rubber handle grip for added operator comfort.
- Minimal maintenance with no special tools required.
- 5-year warranty against defects in materials and workmanship.
- Metric rated.
- Meets ASME B30.21 – Manually Lever Operated Hoist Standard and European CE Standard.
- Designed and manufactured by Columbus McKinnon Corporation.

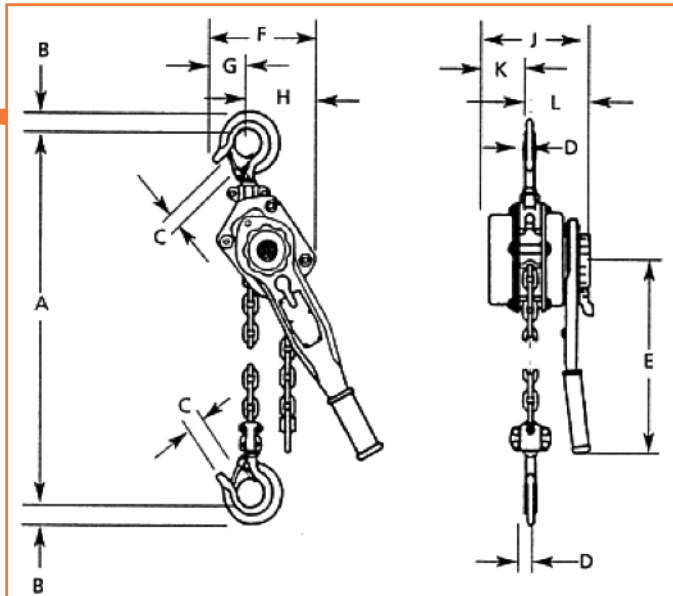


Ideal for construction and industrial applications



Shipyards hooks are available for use with the Series 653 in shipbuilding and metal fabrication industries. The upper shipyard hook replaces the standard hook and easily attaches to the body of the hoist. The lower hook is furnished with a chain block for direct attachment to the load of the hoist. Shipyards hooks are excellent for positioning steel plate and fixtures during welding applications.

Series 653 lever operated hoist



Upper
Shipyard
hook

Capacity (tons)	Product code	Net Wt. (lbs.)
1 1/2	3315WLP	2.9
3	3303WLP	4.9



Lower
Shipyard
hook

1 1/2	3415WLP	2.1
3	3403WLP	4.8

Product Code	Max. Capacity (tons)	Standard Lift (ft.)	Approx. Shipping wgt. (lbs.)
5336	1 1/2	5	27
5337	1 1/2	5	28
5338	3	5	45
5339	3	5	46

Specifications

Product code	Load rating (tonnes)	Lift or reach (ft.)	Lever pull to lift rated load (lbs.)	Approx. ship wt. (lbs.)	A	B	C	D	E	F	G	H	J	K	L
5310	3/4	5	33	15.0	12 ⁵ / ₈	15/16	1 ¹ / ₈	11/16	11	4 ³ / ₈	2 ³ / ₁₆	2 ³ / ₁₆	5 ¹⁵ / ₁₆	2 ³ / ₈	3 ⁹ / ₁₆
5311	3/4	10	33	15.8	12 ⁵ / ₈	15/16	1 ¹ / ₈	11/16	11	4 ³ / ₈	2 ³ / ₁₆	2 ³ / ₁₆	5 ¹⁵ / ₁₆	2 ³ / ₈	3 ⁹ / ₁₆
5312	3/4	15	33	16.6	12 ⁵ / ₈	15/16	1 ¹ / ₈	11/16	11	4 ³ / ₈	2 ³ / ₁₆	2 ³ / ₁₆	5 ¹⁵ / ₁₆	2 ³ / ₈	3 ⁹ / ₁₆
5313	3/4	20	33	17.3	12 ⁵ / ₈	15/16	1 ¹ / ₈	11/16	11	4 ³ / ₈	2 ³ / ₁₆	2 ³ / ₁₆	5 ¹⁵ / ₁₆	2 ³ / ₈	3 ⁹ / ₁₆
5328	1	5	44	15.0	12 ⁵ / ₈	15/16	1 ¹ / ₈	11/16	11	4 ³ / ₈	2 ³ / ₁₆	2 ³ / ₁₆	5 ¹⁵ / ₁₆	2 ³ / ₈	3 ⁹ / ₁₆
5315	1 1/2	5	51	27.0	14 ³ / ₁₆	1 ¹ / ₈	1 ¹ / ₄	13/16	16 ¹ / ₄	4 ³ / ₈	2 ³ / ₈	2 ³ / ₈	6 ⁷ / ₈	3	3 ¹⁵ / ₁₆
5316	1 1/2	10	51	31.4	14 ³ / ₁₆	1 ¹ / ₈	1 ¹ / ₄	13/16	16 ¹ / ₄	4 ³ / ₈	2 ³ / ₈	2 ³ / ₈	6 ⁷ / ₈	3	3 ¹⁵ / ₁₆
5317	1 1/2	15	51	35.8	14 ³ / ₁₆	1 ¹ / ₈	1 ¹ / ₄	13/16	16 ¹ / ₄	4 ³ / ₈	2 ³ / ₈	2 ³ / ₈	6 ⁷ / ₈	3	3 ¹⁵ / ₁₆
5318	1 1/2	20	51	40.2	14 ³ / ₁₆	1 ¹ / ₈	1 ¹ / ₄	13/16	16 ¹ / ₄	4 ³ / ₈	2 ³ / ₈	2 ³ / ₈	6 ⁷ / ₈	3	3 ¹⁵ / ₁₆
5329	2	5	68	27.0	14 ¹³ / ₁₆	1 ¹ / ₈	1 ¹ / ₄	13/16	16 ¹ / ₄	4 ³ / ₈	2 ³ / ₈	2 ³ / ₈	6 ⁷ / ₈	3	3 ¹⁵ / ₁₆
5320	3	5	77	45.0	18 ¹¹ / ₁₆	1 ¹³ / ₁₆	1 ⁹ / ₁₆	1 ¹ / ₄	16 ¹ / ₄	7 ¹ / ₂	3 ³ / ₈	4 ³ / ₁₆	7 ⁷ / ₈	3 ³ / ₈	4 ⁹ / ₁₆
5321	3	10	77	52.3	18 ¹¹ / ₁₆	1 ¹³ / ₁₆	1 ⁹ / ₁₆	1 ¹ / ₄	16 ¹ / ₄	7 ¹ / ₂	3 ³ / ₈	4 ³ / ₁₆	7 ⁷ / ₈	3 ³ / ₈	4 ⁹ / ₁₆
5330	6	5	77	78.0	23 ¹ / ₄	1 ¹³ / ₁₆	2 ³ / ₁₆	1 ¹ / ₂	16 ¹ / ₄	7 ¹ / ₂	3 ³ / ₈	4 ³ / ₁₆	7 ⁷ / ₈	3 ³ / ₈	4 ⁹ / ₁₆
5331	6	10	77	94.0	23 ¹ / ₄	1 ¹³ / ₁₆	2 ³ / ₁₆	1 ¹ / ₂	16 ¹ / ₄	7 ¹ / ₂	3 ³ / ₈	4 ³ / ₁₆	7 ⁷ / ₈	3 ³ / ₈	4 ⁹ / ₁₆
5332	6	15	77	110.0	23 ¹ / ₄	1 ¹³ / ₁₆	2 ³ / ₁₆	1 ¹ / ₂	16 ¹ / ₄	7 ¹ / ₂	3 ³ / ₈	4 ³ / ₁₆	7 ⁷ / ₈	3 ³ / ₈	4 ⁹ / ₁₆
5333	6	20	77	126.0	23 ¹ / ₄	1 ¹³ / ₁₆	2 ³ / ₁₆	1 ¹ / ₂	16 ¹ / ₄	7 ¹ / ₂	3 ³ / ₈	4 ³ / ₁₆	7 ⁷ / ₈	3 ³ / ₈	4 ⁹ / ₁₆

* **WARNING**

Overloading and improper use can result in injury.

To avoid injury:

- Do not exceed working load limit, load rating capacity
- Do not use to lift people or loads over people.
- use only alloy chain for overhead lifting.
- Read and follow all instructions.